

Al-Moutawa Factory for Stainless Steel



مصنع المطاوعة للستانلس ستيل

COMPANY

PROFILE

2020

The best value comes from
the integrity of successful &
working perfectly.



Introduction

ALMOUTAWA Stainless Steel Factory is one of the top Fabrication of Stainless Steel and all forms of manufacturing and restructuring in State of SAUDI. Our management team is highly qualified and experienced, Logistics, Fabrication, problem Solution, allowing us to understand our clients' needs and meet them in the most timely and cost effective manner.



Our Services

AL-MOUTAWA factory is looking to provide better services to corporate and Personal where we put the interests of clients in the first place in order to provide excellent services and a variety of corporate.



Advantages

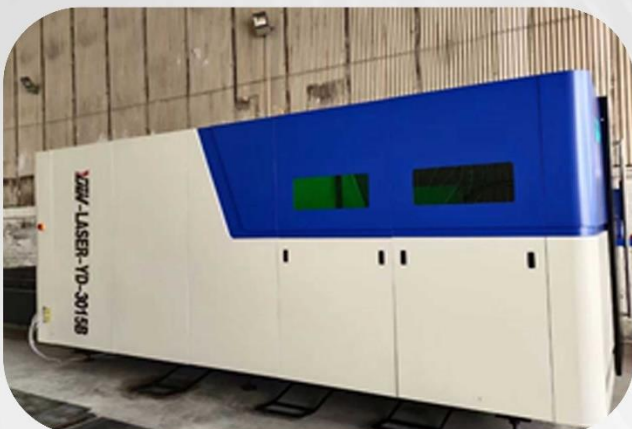
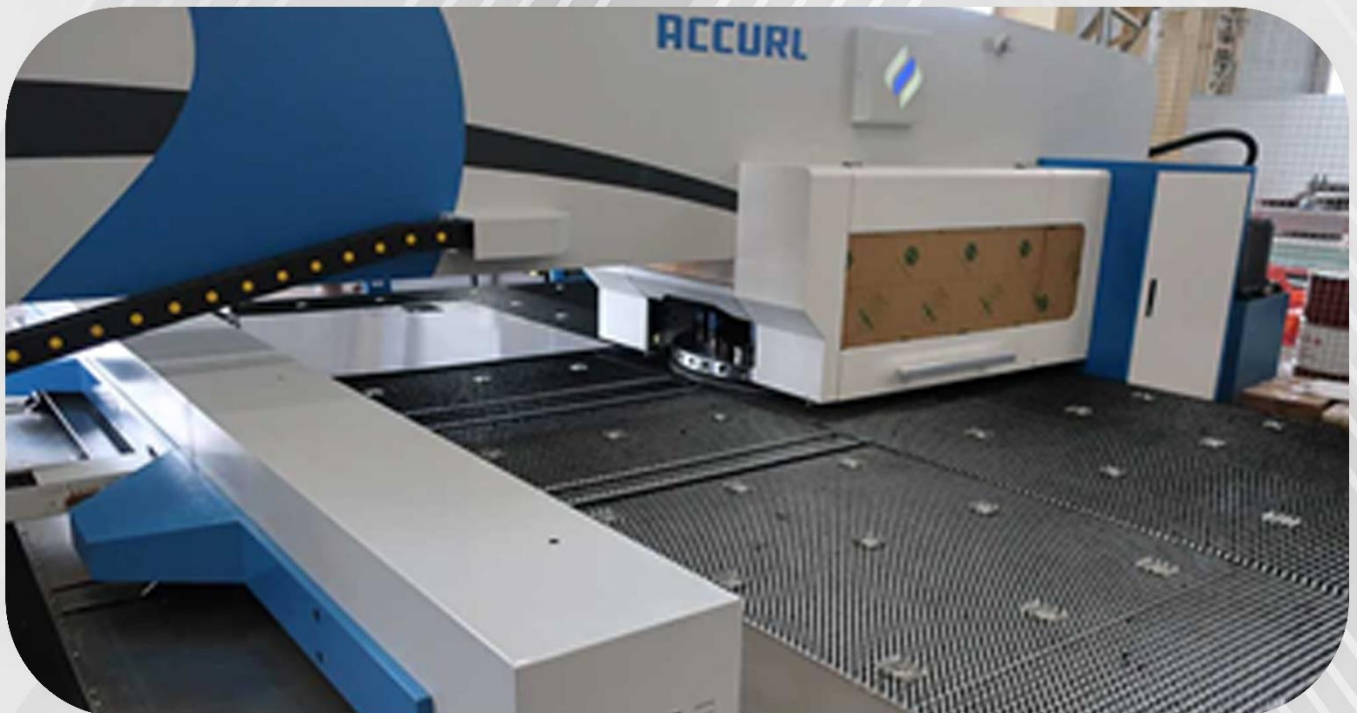
Work in AL-MOTAWA factory characterized by team spirit under the guidance of factory management and efforts to forge closer ties and links between Factory staff and this necessarily focus on the interests of individual and corporate clients.



Our Services

We work with different kind of steel and aluminum to meet the customers requests.

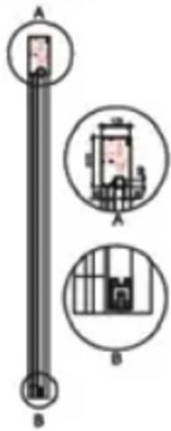
- All types of doors and windows
- Cladding related to left, columns and walls
- Stainless steel Canopy with limited glass
- Manufacturing boxes in all forms and sizes
- ENTRANCES – GLASS INTERFACES
- We are the specialist using of golden stainless
- We use TIG welding Aluminum of manufacturing
- The cabinets, shelf, tables and chairs



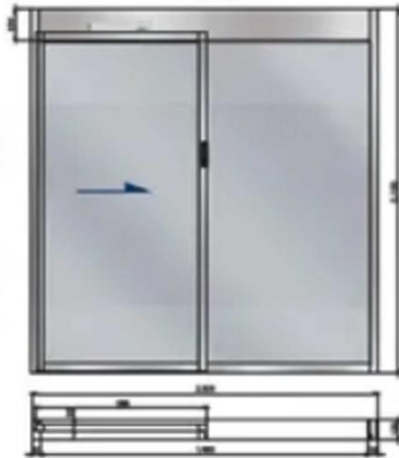
AutoCAD Designs

We have the honor to contribute to the proposal for engineering Designs for Doors, interfaces , Automatic doors and Kitchen items.

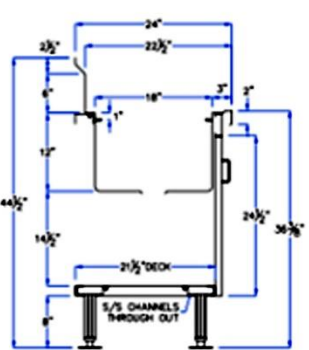
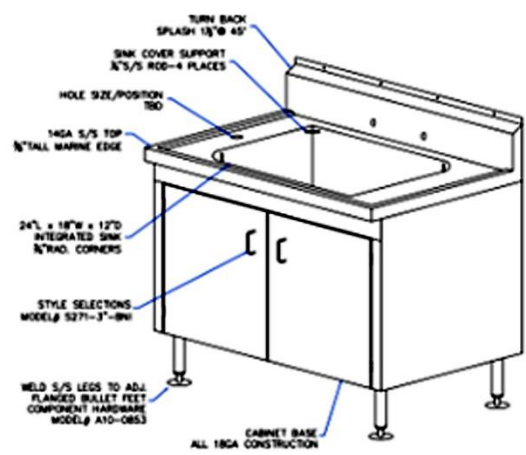
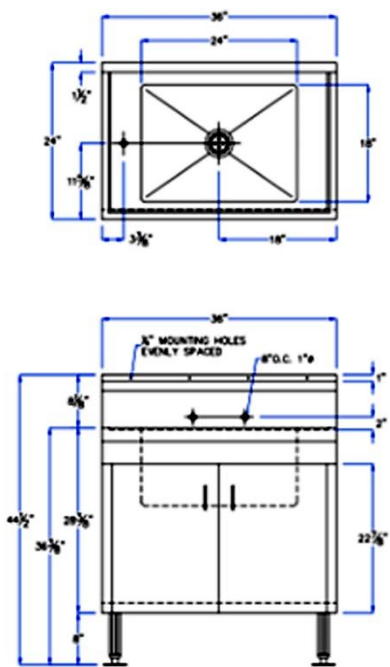
Application Plan



[Single]



[Double]



Store Fronts

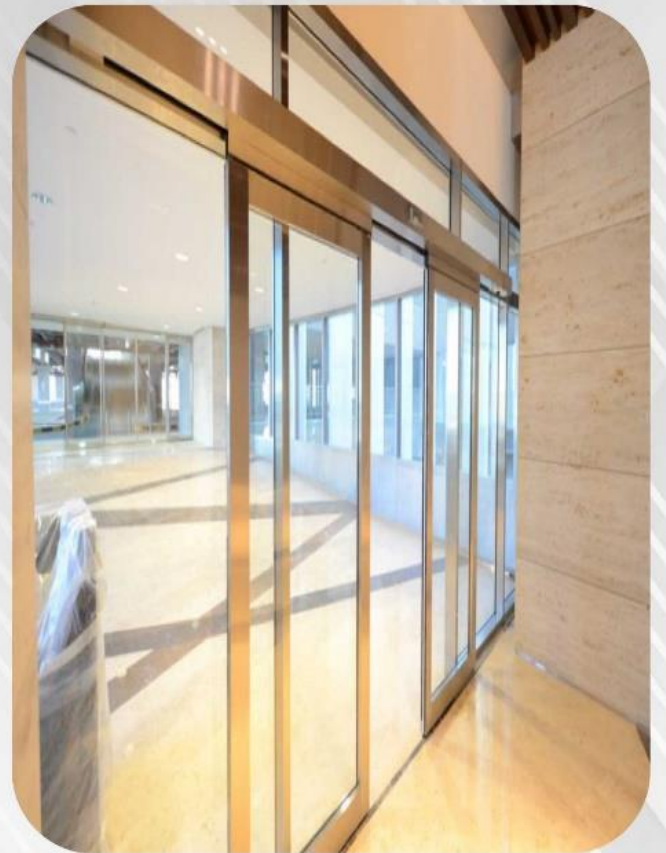
For lovers of luxury and distinction we provide you a variety of most prestigious collection of the golden doors



We design and implement all kinds of Decoration for companies , mall , buildings and chalets that are not only beautiful but resistance to impact even at extreme temperature variations

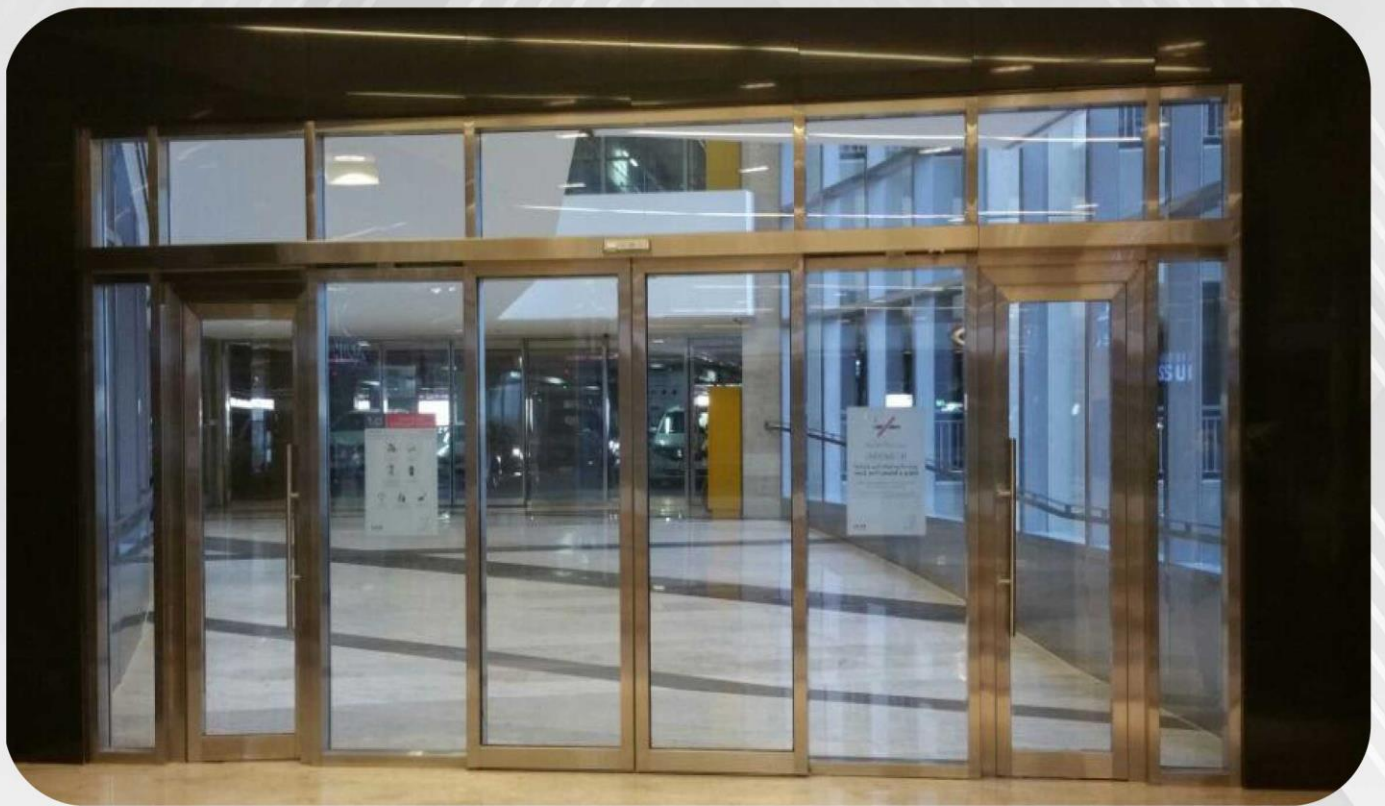
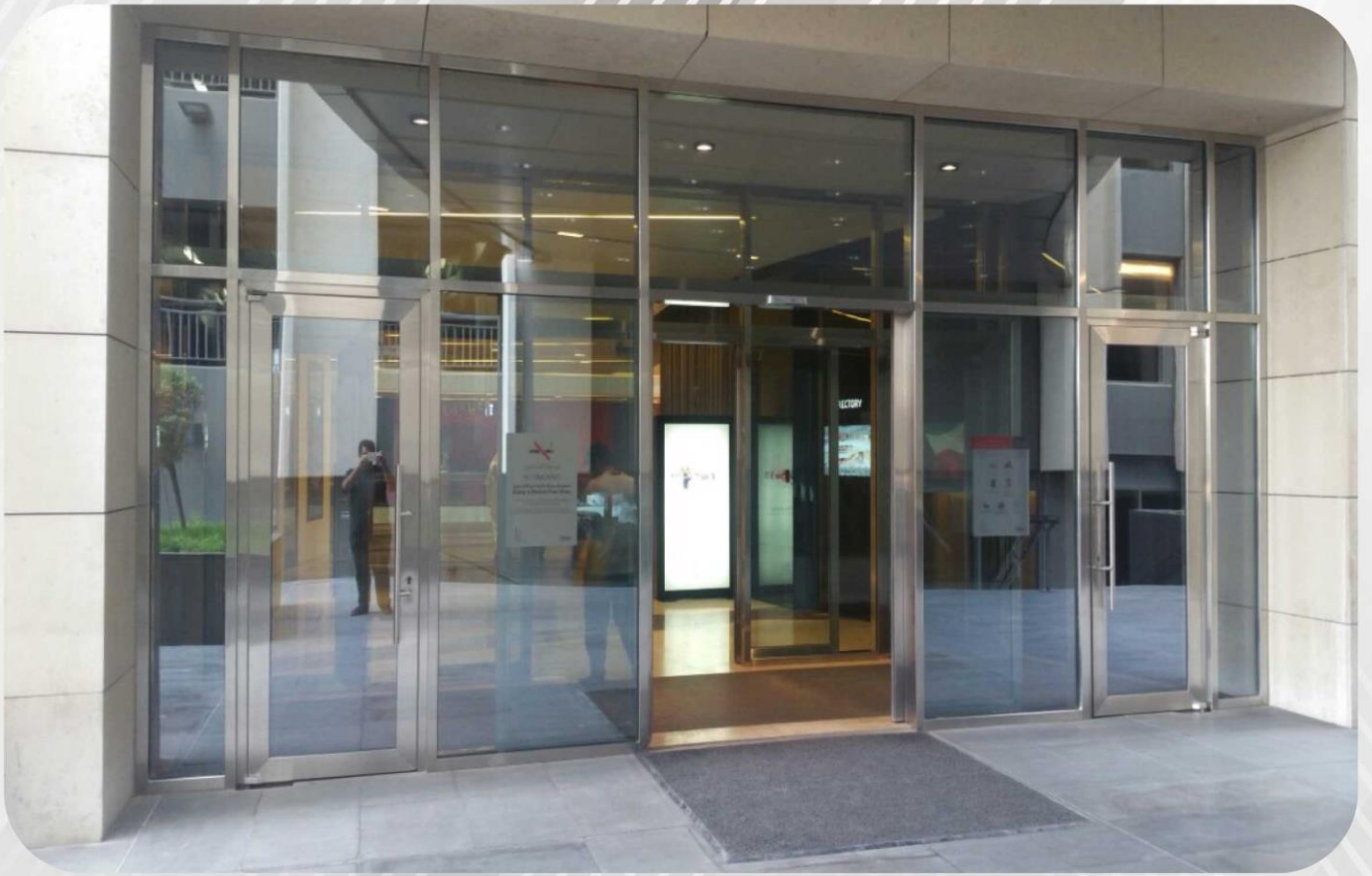


We have a great ability to implementation including aspires to the client, and we make distinguished and in a unique way.











Emergency and X-Ray Doors

Hygienic, non-porous, surface coupled with the easy cleaning ability of stainless steel make it the primary choice for applications that require strict hygiene control, such as hospital, kitchen, x-ray room and others food processing plants



We have the honor to contribute to the proposal for engineering design for the doors and stainless steel interface with glass processor and automatic doors in collaboration with international standards





STAINLESS STEEL Cabinets

We design and implement all types of stainless steel kitchen with various types of models and the surfaces of kitchen cabinets of marble or Corian of all kinds.







Shade Structure

Aesthetic appearance , Providing a modern and attractive appearance for most architectural metal application



We design and carry out all shapes and size from the finest stainless steel and glass inlaid according to the technical specifications supported

We have a great ability to implementation including aspires to the client, and we make distinguished and in a unique way.





Cladding Columns

The factory drawing visualization interface in different forms and multiple perspectives through AutoCAD and the three-dimensional programs which help you to make it properly



The factory is executing the design, fabrication as well as installation activities of decorative form the best pipe materials as well as stainless steel.



Cladding Walls



We design and carry out all shapes and size from the finest stainless steel and glass inlaid according to the technical specifications supported

Customized Products

Since Almoutawa has a trained and qualified human cadre along with engineering and technical experiences supporting this cadre, Almoutawa executes several products according to the request and taste of our distinguished clients, including – for example but not limited to:



M A D D E F O R L I F E



WWW.ALMOUTAWA.COM



ALMOUTAWA



059-914-3623, 054-026-6860

Al-Moutawa Factory for Stainless Steel



مصنع المطاوعة للستانلس ستيل

Showroom location: Dammam - Al-Khudariah District, King Abdul-Aziz
Factory location: Dammam - Dallah Industrial, Al-Banafji Street